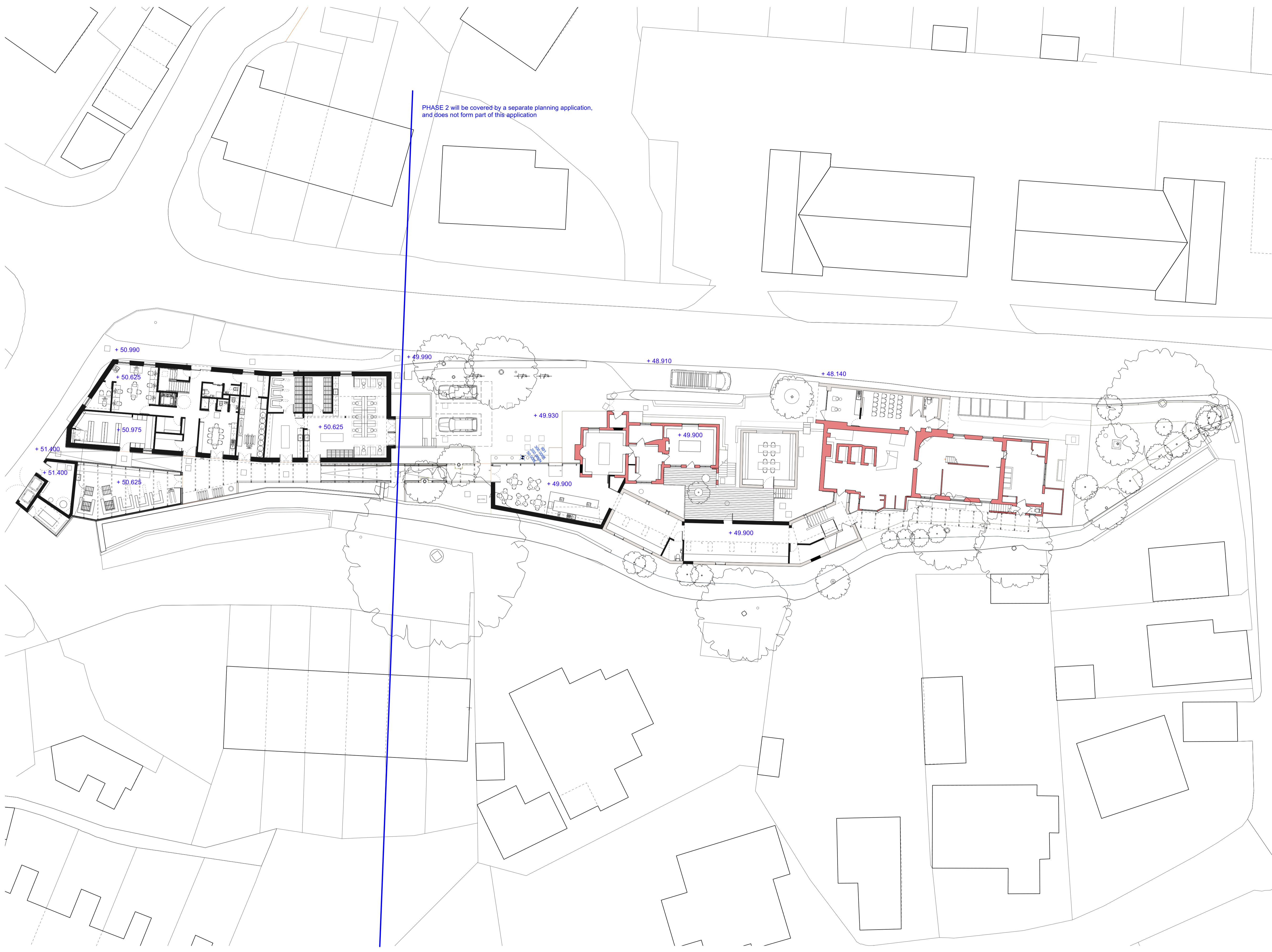
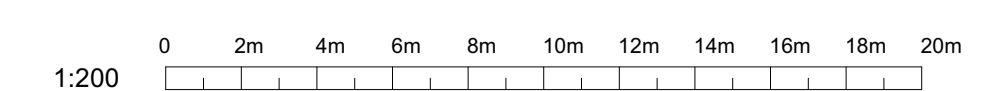


- Wall proposed
- Wall existing
- Listed fabric

PHASE 2 will be covered by a separate planning application,
and does not form part of this application



Notes



DOW JONES ARCHITECTS

Units 1-5, 11 Sancroft Street, London, SE11 5UG
 T 020 7587 1555
 mail@dowjonesarchitects.com
 www.dowjonesarchitects.com

Leach Pottery

Proposed Site Plan - Ground Floor
 1:200 @ A1
 19.12.2022
 STATUS: PLANNING

488-00-051

- Wall proposed
- Wall existing
- Listed fabric
- Site boundary

PHASE 2 will be covered by a separate planning application, and does not form part of this application



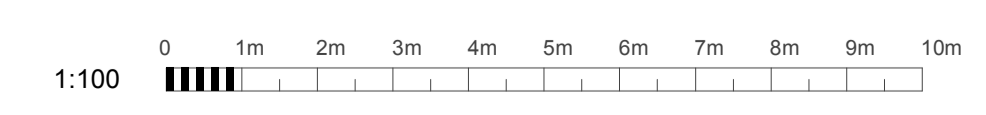
- Notes
- D 11/01/23 PLANNING
 - C 03/11/22 Coordination issue
 - B 01/11/22 Revised office windows
 - A 04/07/22 Updated GA's

DOW JONES ARCHITECTS

Units 1-5, 11 Sancroft Street, London, SE11 5UG
 T 020 7587 1555
 mail@dowjonesarchitects.com
 www.dowjonesarchitects.com

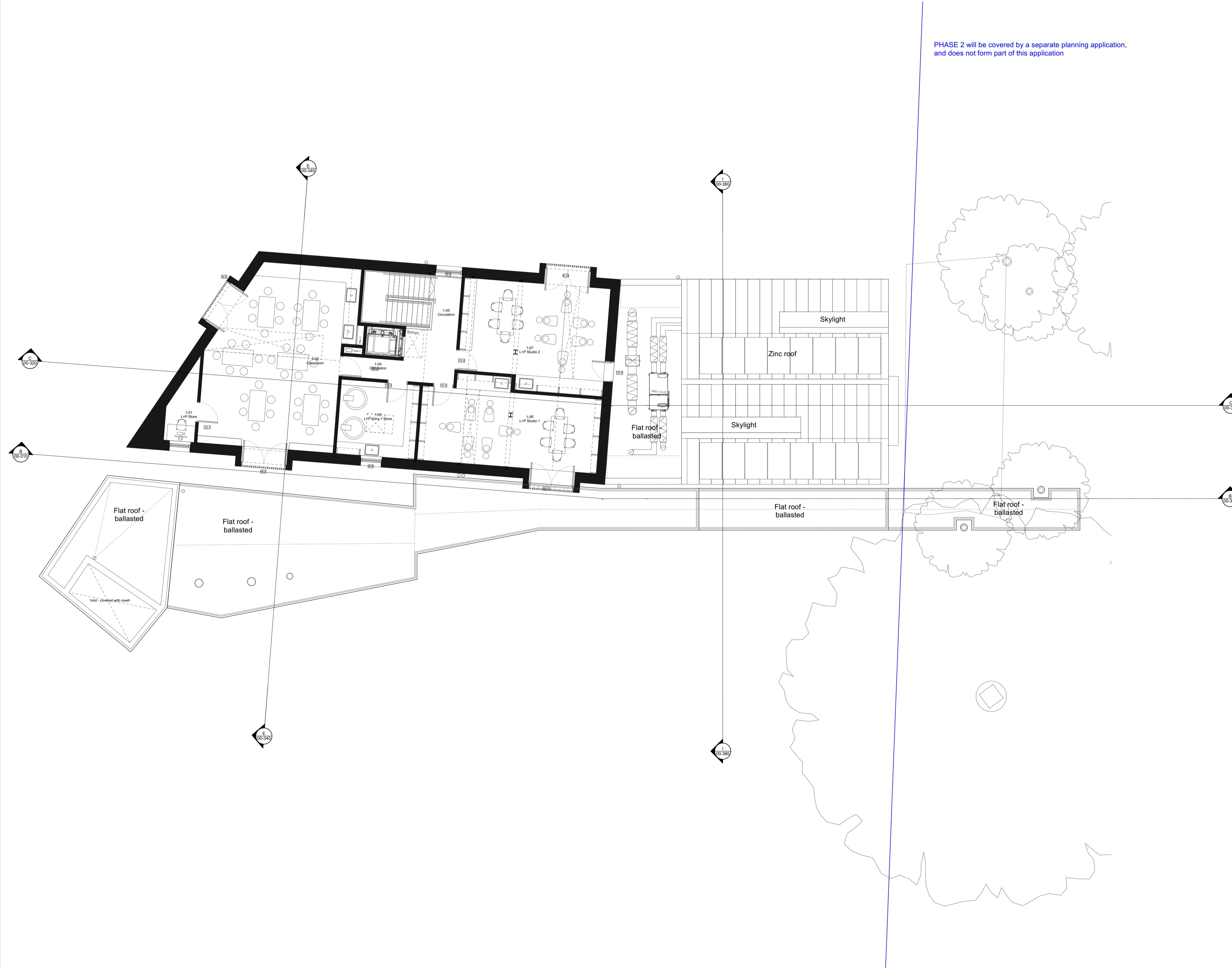
Leach Pottery
 Ground Floor Plan - Proposed
 1:100 @ A1
 19.12.2022
 STATUS: PLANNING

488-00-100 D



- Wall proposed
- Wall existing
- Listed fabric

PHASE 2 will be covered by a separate planning application, and does not form part of this application



Notes

C 11/01/23 PLANNING
 B 03/11/22 Coordination issue
 A 04/07/22 Updated GA's

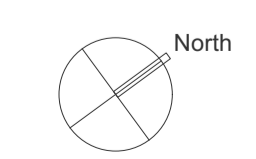
DOW JONES ARCHITECTS

Units 1-5, 11 Sancroft Street, London, SE11 5UG
 T 020 7587 1555
 mail@dowjonesarchitects.com
 www.dowjonesarchitects.com

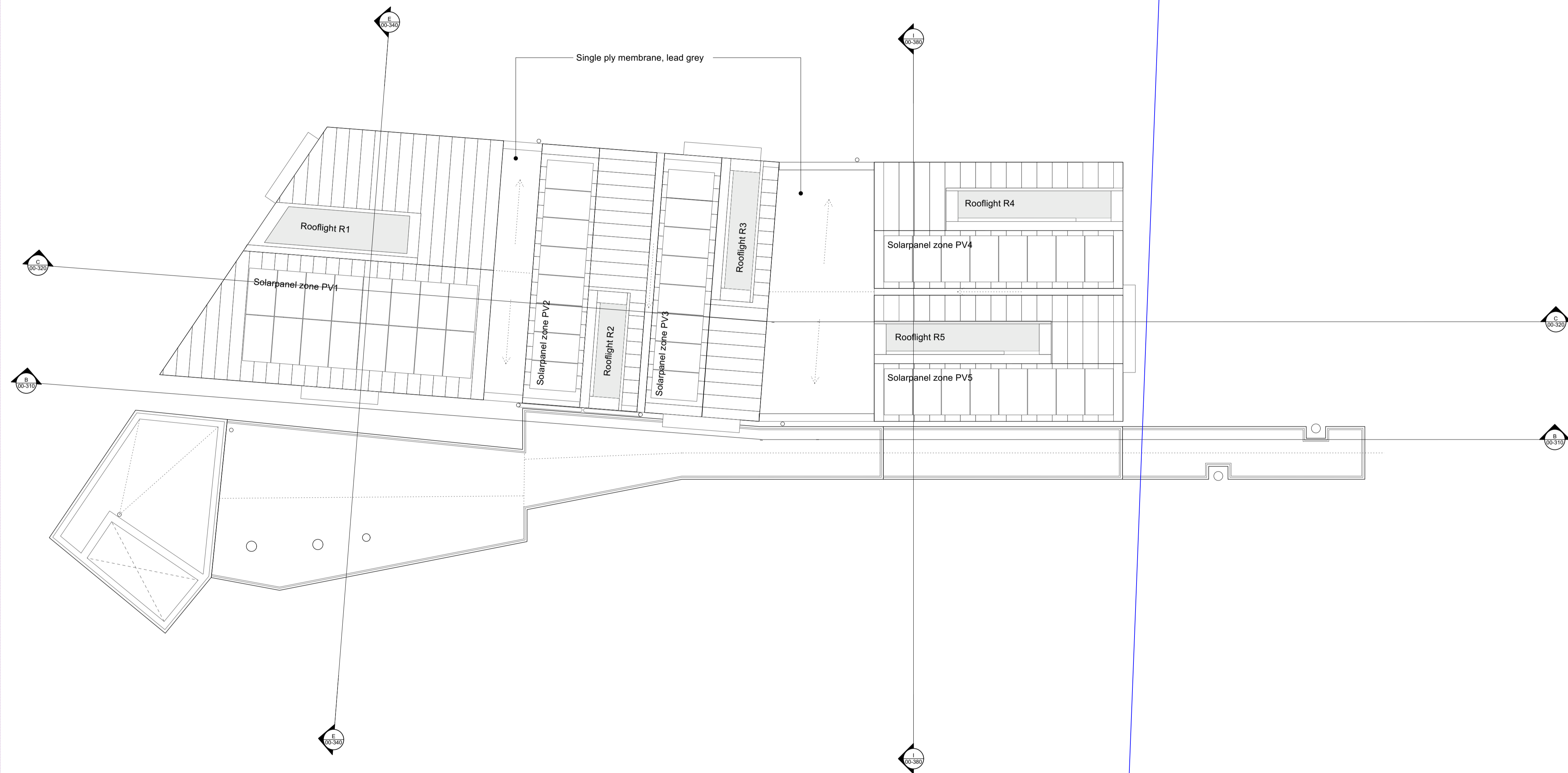
Leach Pottery

First Floor Plan - Proposed
 1:100 @ A1
 19.12.2022
 STATUS: PLANNING

488-00-110 C



PHASE 2 will be covered by a separate planning application,
and does not form part of this application



- Notes
- D 11/01/23 PLANNING
 - C 03/11/22 Coordination issue
 - B 23/09/22 Revised PV
 - A 04/07/22 Updated GA's

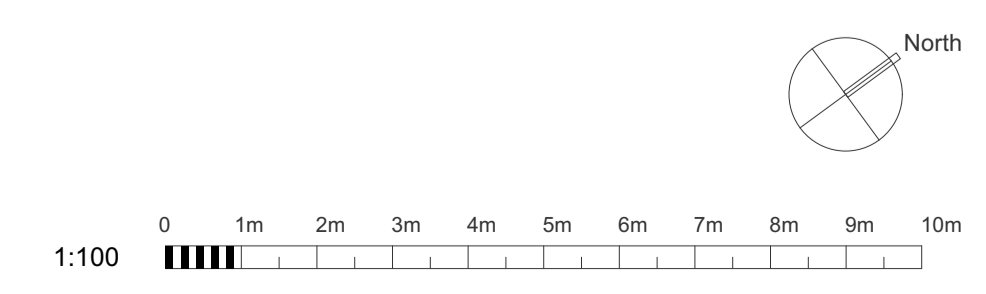
DOW JONES ARCHITECTS

Units 1-5, 11 Sancroft Street, London, SE11 5UG
T 020 7587 1555
mail@dowjonesarchitects.com
www.dowjonesarchitects.com

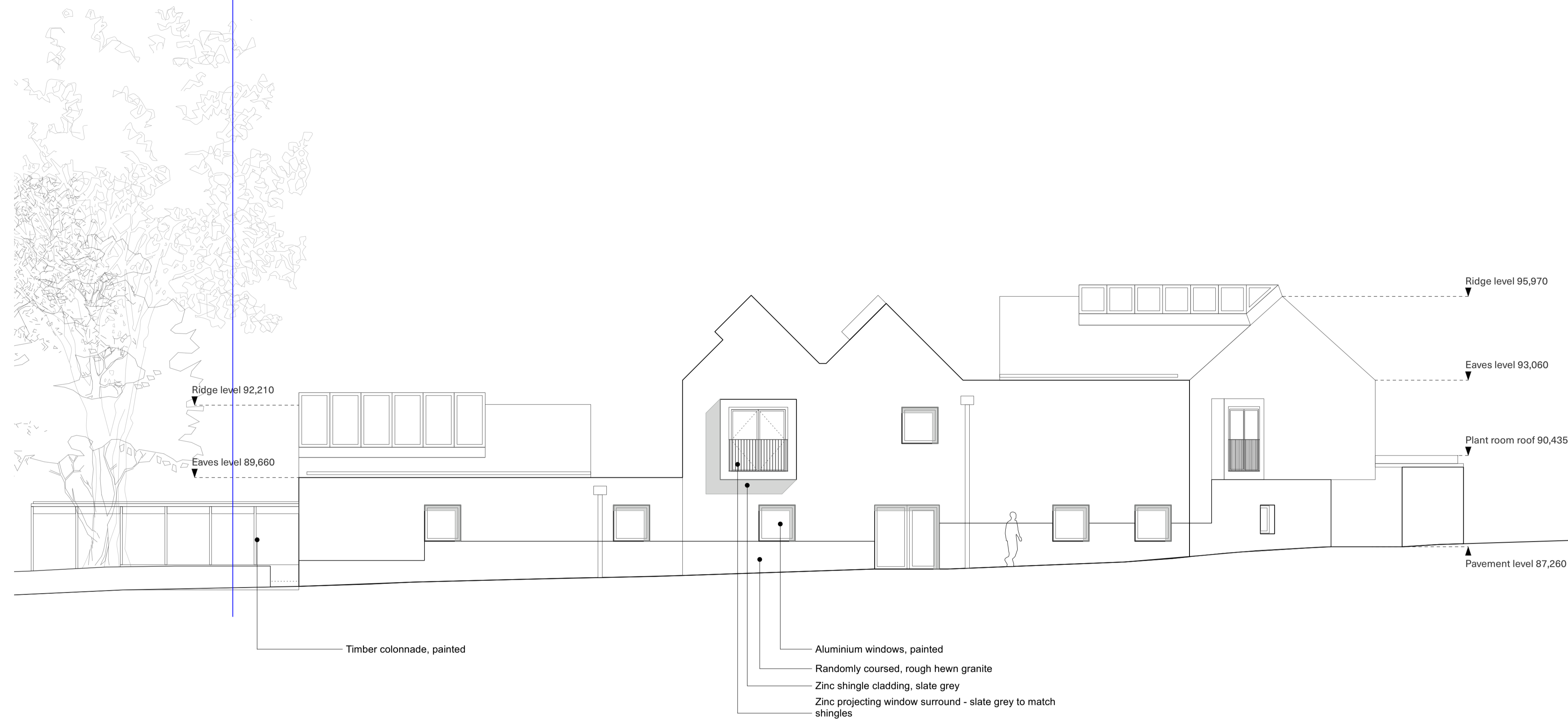
Leach Pottery

Roof Plan - Proposed
1:100 @ A1
01.06.2022
STATUS: PLANNING

488-00-120 D



PHASE 2 will be covered by a separate planning application,
and does not form part of this application



1 North West elevation - Proposed
Scale: 1:100



2 North East Elevation - Proposed
Scale: 1:100

Notes

B 31/01/23 Orientation markers updated
A 11/01/23 PLANNING

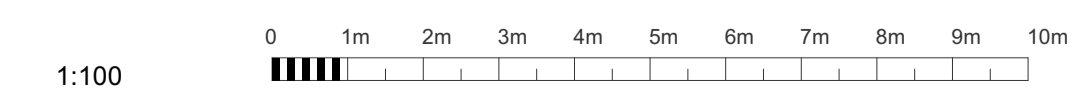
DOW JONES ARCHITECTS

Units 1-5, 11 Sancroft Street, London, SE11 5UG
T 020 7587 1555
mail@dowjonesarchitects.com
www.dowjonesarchitects.com

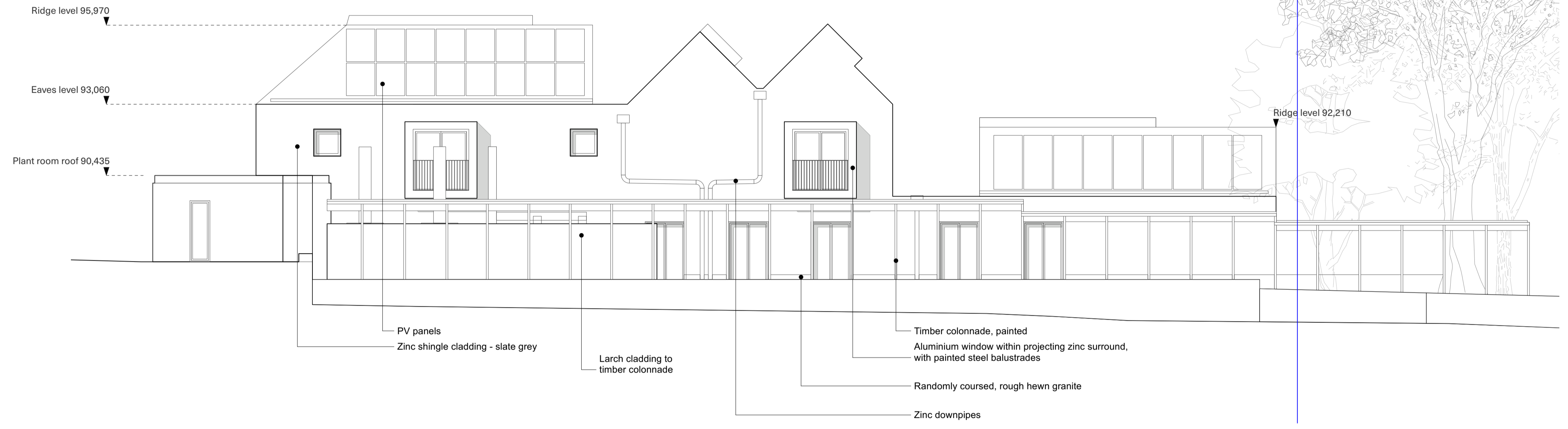
Leach Pottery

Proposed Elevations - West & North
1:100 @ A1
30.11.22
STATUS: PLANNING

488-00-202 B



PHASE 2 will be covered by a separate planning application, and does not form part of this application



1 South East Elevation - Proposed
Scale: 1:100



2 South West Elevation - Proposed
Scale: 1:100

Notes

B 31/01/23 Orientation markers updated
A 11/01/23 PLANNING

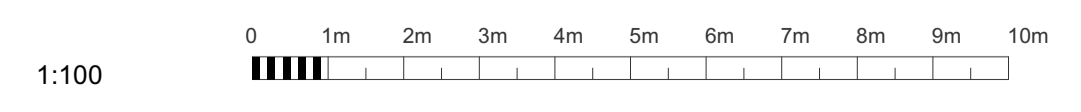
DOW JONES ARCHITECTS

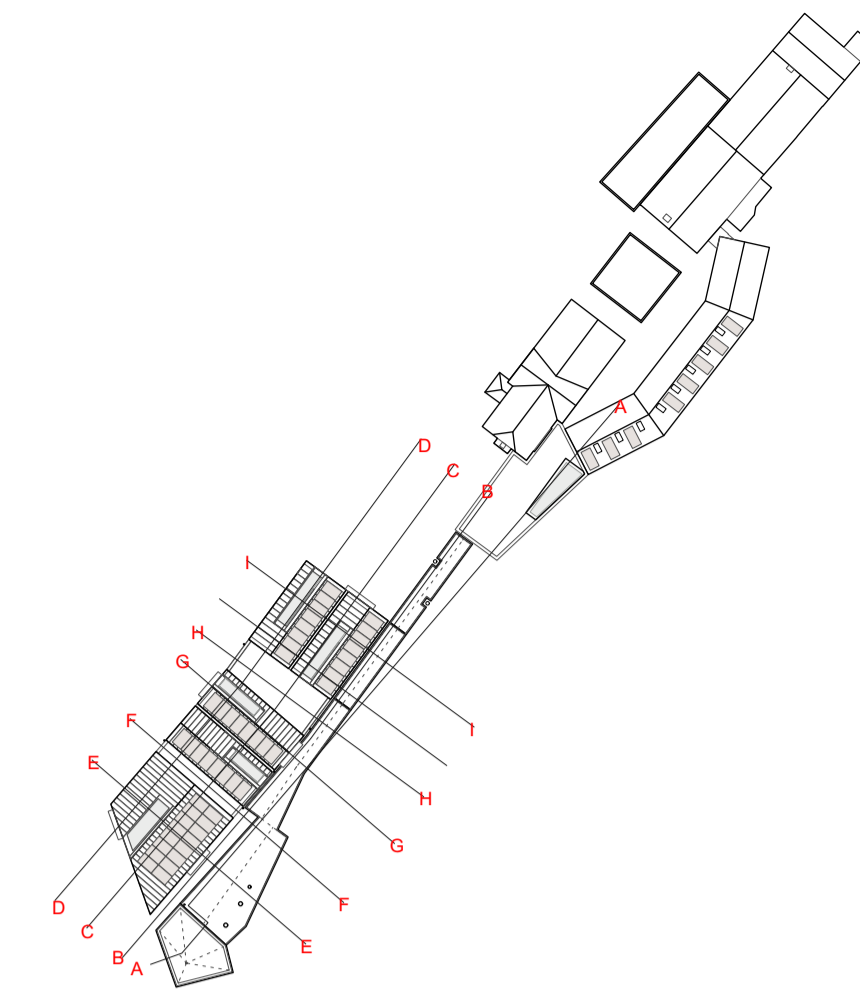
Units 1-5, 11 Sancroft Street, London, SE11 5UG
T 020 7587 1555
mail@dowjonesarchitects.com
www.dowjonesarchitects.com

Leach Pottery

Proposed Elevation - East & South
1:100 @ A1
30.11.22
STATUS: PLANNING

488-00-222 B





Zinc shingle cladding - slate grey
 Sawn Cornish granite cladding
 PV panels
 Aluminium window within projecting zinc surround, with painted steel balustrades
 Zinc downpipes

1 Long Section BB - Proposed
 Scale: 1:100

Notes

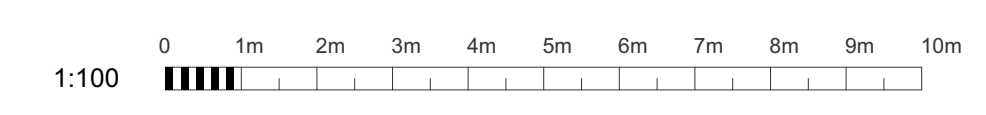
D 11/01/23 PLANNING
 C 30/11/22 Stage 3 issue
 B 03/11/22 Coordination issue
 A 04/07/22 Updated GA's

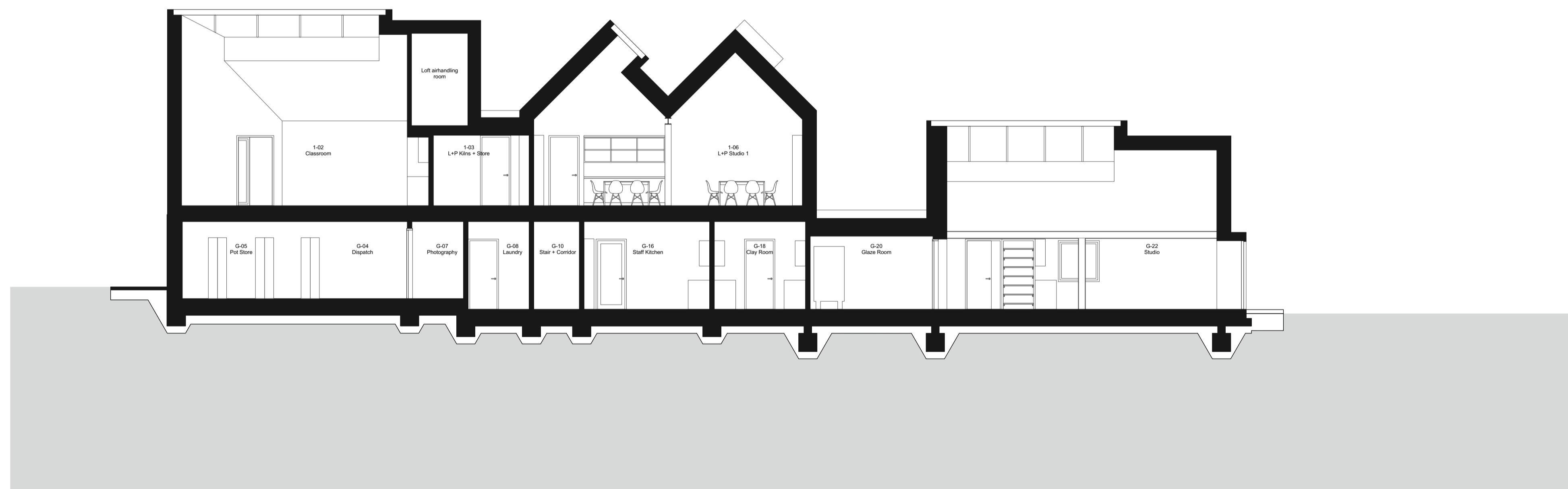
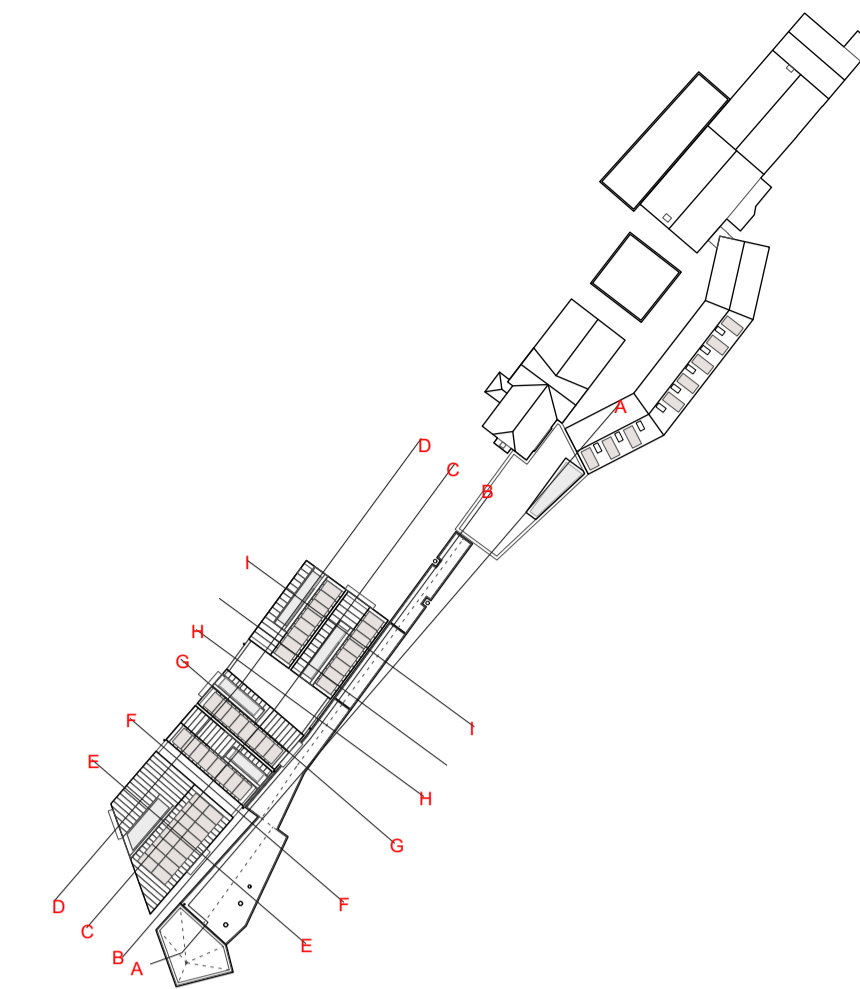
DOW JONES ARCHITECTS

Units 1-5, 11 Sancroft Street, London, SE11 5UG
 T 020 7587 1555
 mail@dowjonesarchitects.com
 www.dowjonesarchitects.com

Leach Pottery
 Proposed Section BB
 1:100 @ A1
 01.06.2022
 STATUS: PLANNING

488-00-310 D





1 Long Section CC - Proposed
Scale: 1:100

Notes

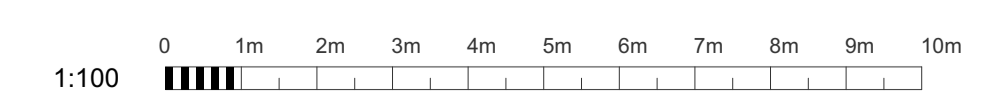
C 11/01/23 PLANNING
B 30/11/22 Stage 3 issue
A 04/07/22 Updated GA's

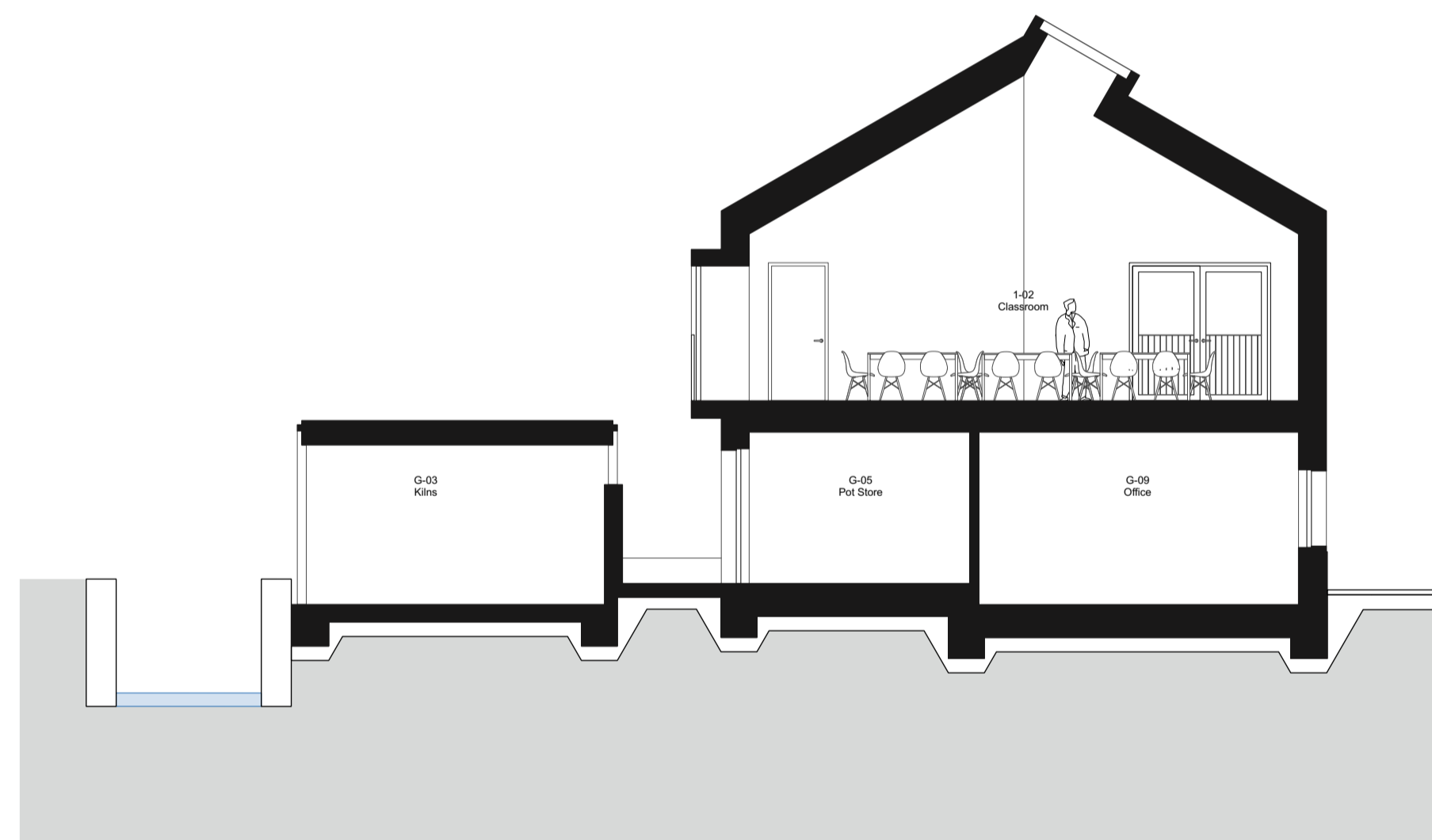
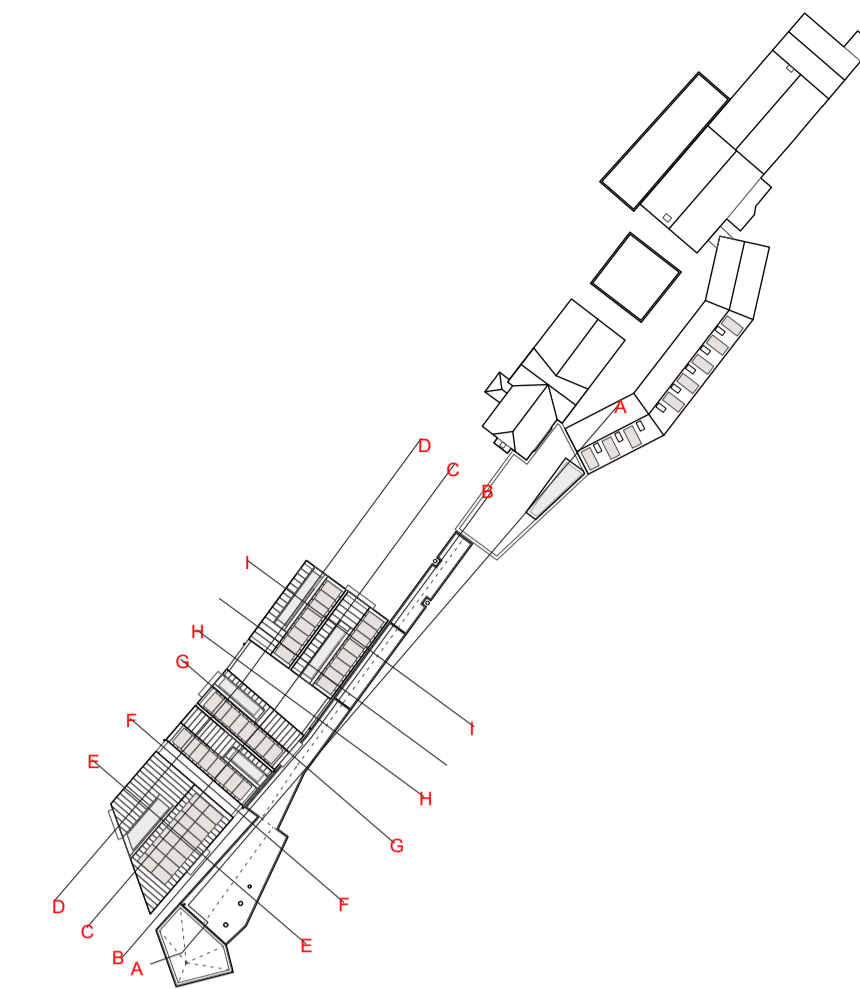
DOW JONES ARCHITECTS

Units 1-5, 11 Sancroft Street, London, SE11 5UG
T 020 7587 1555
mail@dowjonesarchitects.com
www.dowjonesarchitects.com

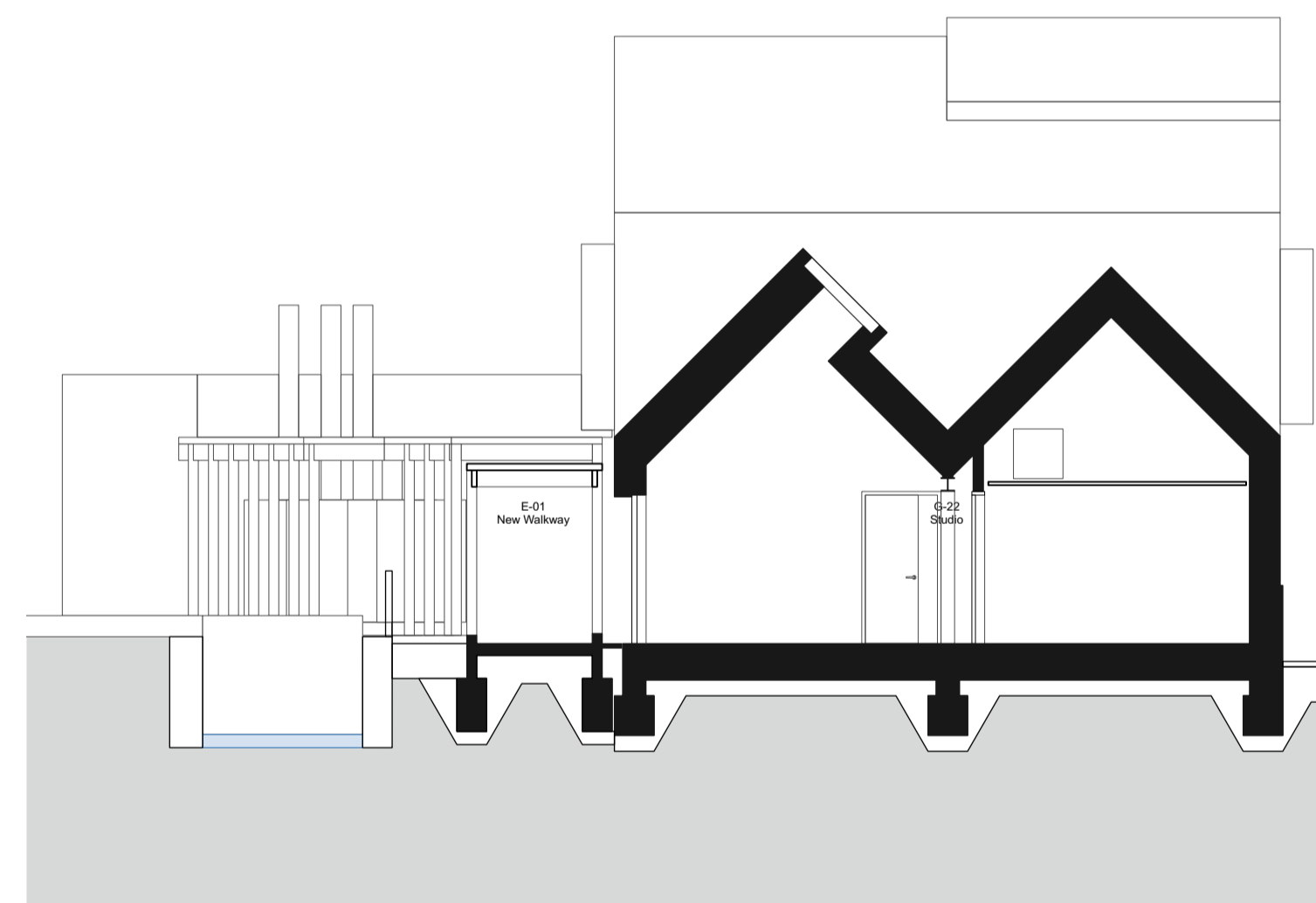
Leach Pottery
Proposed Long Sections
1:100 @ A1
01.06.2022
STATUS: PLANNING

488-00-320 C





1 Short Section EE - Proposed
Scale: 1:100



2 Short Section II - Proposed
Scale: 1:100

Notes

DOW JONES ARCHITECTS
 Units 1-5, 11 Sancroft Street, London, SE11 5UG
 T 020 7587 1555
 mail@dowjonesarchitects.com
 www.dowjonesarchitects.com

Leach Pottery
 Proposed Short Sections
 1:100 @ A1
 01.06.2022
 STATUS: PLANNING

488-00-341 -

